

RJ

特点 Features

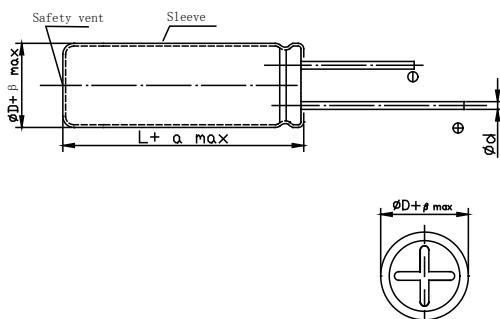
- 保证105°C 10000小时。Endurance :10000h at 105°C.
- 额定电压范围：160~450V。Rated Voltage Range: 160~450V.
- 细长型,超长寿命品。Slim, Super life.
- 满足RoHS。RoHS Compliant.



主要技术性能 Specifications

项目 Items	特性 Performance Characteristics															
类别温度范围 Category Temperature Range	-25~ +105°C															
额定电压范围 Rated Voltage(U _R)	160 ~450V															
标称容量范围 Nominal Capacitance Range(C _R)	22~220µF	120Hz,+20°C														
标称容量允许偏差 Allowed Capacitance Tolerance(C _r)	±20%(M)	120Hz,+20°C														
漏电流 Leakage Current(I _L)	I ≤ 0.02 C _R U _R +15 (µA)	+20°C after 5 minutes														
损耗角正切值 Tangent of loss angle(Tanδ)	<table border="1"> <tr> <td>U_R (V)</td> <td>160</td> <td>200</td> <td>250</td> <td>400</td> <td>420</td> <td>450</td> </tr> <tr> <td>Tanδ</td> <td>0.18</td> <td>0.18</td> <td>0.18</td> <td>0.20</td> <td>0.22</td> <td>0.24</td> </tr> </table> <p>当容量大于1000µF时,每增加1000µF,其损耗角正切值增加0.02 When nominal capacitance exceeds 1000µF, add 0.02 to the value above for each 1000µF increase.</p>	U _R (V)	160	200	250	400	420	450	Tanδ	0.18	0.18	0.18	0.20	0.22	0.24	Max. 120Hz,+20°C
U _R (V)	160	200	250	400	420	450										
Tanδ	0.18	0.18	0.18	0.20	0.22	0.24										
低温特性 Characteristics at low temperature	<table border="1"> <tr> <td>U_R (V)</td> <td>160</td> <td>200</td> <td>250</td> <td>400</td> <td>420</td> <td>450</td> </tr> <tr> <td>Z_{-25°C} / Z_{+20°C}</td> <td>4</td> <td>4</td> <td>5</td> <td>6</td> <td>6</td> <td>6</td> </tr> </table>	U _R (V)	160	200	250	400	420	450	Z _{-25°C} / Z _{+20°C}	4	4	5	6	6	6	Max. 120Hz
U _R (V)	160	200	250	400	420	450										
Z _{-25°C} / Z _{+20°C}	4	4	5	6	6	6										
耐久性 Load life	+105°C, 不超过额定电压的范围内叠加额定纹波电流,连续加载额定电压10000小时,恢复16小时后: Overlay the rated ripple current within the range of rated voltage and continuously load the rated voltage for 10000 hours+105 , Recover for 16 hours ; 容量变化率Capacitance change : ±20%初始测量值以内 within ±20% of initial value 损耗角正切值 Tanδ : ≤2倍初始规定值 Not more than 200% of specified value 漏电流 Leakage current : ≤初始规定值 Not more than specified value															
高温贮存 Shelf life	+105°C,1000小时贮存后,恢复16小时后: After storage for 1000 hours at +105°C and then recovery 16 hours: 容量变化率Capacitance change : ±20%初始测量值以内 within ±20% of initial value 损耗角正切值 Tanδ : ≤2倍初始规定值 Not more than 200% of specified value 漏电流 Leakage current : ≤2倍初始规定值 Not more than 200% of specified value															

尺寸图 Dimension drawings



单位 Unit: mm

D	8	10	12.5
F	3.5	5.0	
d	0.6		
αMAX	2.0		
βMAX	0.5		

频率修正系数 Frequency Coefficient

Frequency (Hz)	60	120	300	1K	10K	≥100K
Kf	0.80	1.00	1.25	1.45	1.50	1.50

规格特性表
Table of specifications and characteristics

C _R (μF)	U _R (V)	160		200		250		400		420		450	
		ΦD×L mm*mm	I _{AC,max} 120Hz 105°C mA	ΦD×L mm*mm	I _{AC,max} 120Hz 105°C mA	ΦD×L mm*mm	I _{AC,max} 120Hz 105°C mA	ΦD×L mm*mm	I _{AC,max} 120Hz 105°C mA	ΦD×L mm*mm	I _{AC,max} 120Hz 105°C mA	ΦD×L mm*mm	I _{AC,max} 120Hz 105°C mA
22												10×35	280
27												10×40	330
33								10×40	365	10×40	370	10×45	390
39								10×45	420	10×45	420	10×50	440
47								10×50	485	10×50	485	12.5×40	480
56								12.5×35	500	12.5×40	520	12.5×45	545
68								12.5×40	680	12.5×45	600	12.5×50	630
82						10×50	640	12.5×50	690	12.5×50	690	12.5×60	755
100		10×45	675	10×45	675	12.5×40	690						
120		10×50	775	10×50	775	12.5×45	800						
150		10×55	910	10×60	945	12.5×50	935						
		12.5×40	845	12.5×40	845								
180		12.5×45	975	12.5×45	975								
220		12.5×50	1135	12.5×55	1185								

ALUMINIUM ELECTROLYTIC CAPACITORS

SMD

MINIATURE

BI-POLAR

STANDARD

LOW-ESR

HIGH RELIABILITY

SNAP-IN

SCREW